

QLAS-1000-18000-47-25

1~18GHz, 47dB, 2.5dB

Features:

- * Broad Band
- * Low Noise

Applications:

- * Wireless
- * Receiver
- * Laboratory Test
- * Radar

Electrical

Frequency:	1~18GHz
Gain:	47dB min. 50dB typ.
Gain Flatness:	±1.5dB typ.
Output Power (P1dB):	+10dBm min.
Noise Figure:	2.5dB max.
VSWR:	2 max.
Voltage:	+220V AC
Impedance:	50Ω

Mechanical

Size*1: 136*186*52mm
5.354*7.323*2.047in

RF Connectors: SMA Female

[1] Exclude connectors, rack mount brackets, handles.

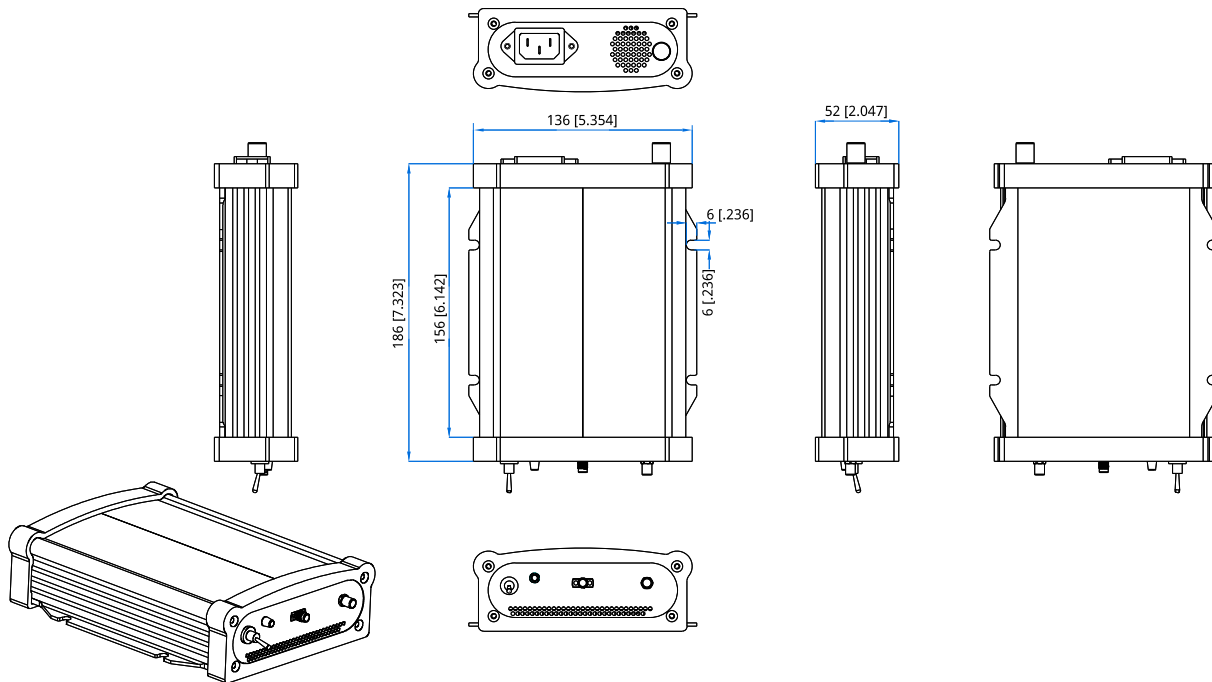
How To Order

[QLAS-1000-18000-47-25](#)

Customization is available upon request.

Environmental

Operating Temperature:	-20~+50°C
Non-operating Temperature:	-40~+85°C

Outline Drawings


Unit: mm [in]

Tolerance: ±0.2mm [±0.008in]